

YLS-U SERIES

Ultra-Compact Ytterbium Fiber Lasers

The Smallest
kilowatt-Class Industrial
Fiber Lasers



NEW



FEATURES

- ▶ Output Power 1-15 kW
- ▶ Ultra-compact Size
- ▶ Excellent Beam Parameter Product
- ▶ Constant BPP over Entire Power Range
- ▶ Energy Efficiency 40%
- ▶ Fiber Delivery 50, 100, 150, 200 μ m
- ▶ Internal Dehumidifier
- ▶ Modular 'Plug and Play' Design
- ▶ Rugged and Easy to Install
- ▶ Maintenance-free Operation
- ▶ Cost-effective Cutting System



APPLICATIONS

- ▶ 2D/3D Thin and Thick Cutting
- ▶ Stainless and Mild Steel Cutting
- ▶ Processing Copper, Brass and Aluminum
- ▶ Welding

The NEW **YLS-U Series** by IPG was developed specifically for applications where laser system size is critical. YLS-U lasers provide up to 15 kW average power in the smallest form factor available on the market. Having the same full featured interfaces and safety electronics of the new generation IPG fiber lasers, YLS-U design is cost/performance optimized, making it an ideal choice for emerging markets. YLS-U lasers can be easily integrated within cutting machines. The lasers are packaged in hermetically sealed cabinets with an internal dryer, enabling the laser to be used in the harshest of production environments.

YLS-U SERIES

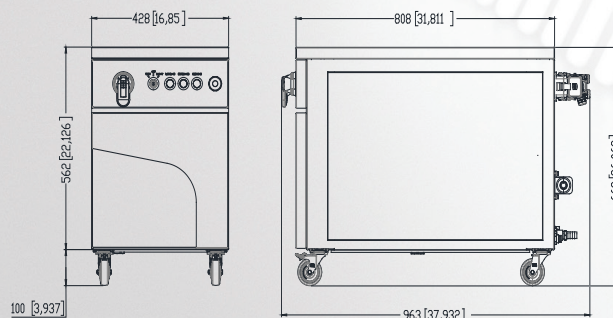
Ultra-Compact Ytterbium Fiber Lasers

Optical Characteristics

Wavelength Range, nm	1074 ±6
Mode of Operation	CW/Modulated
Modulation Frequency, kHz	0-5
Max. Average Power*, kW	1, 2, 3, 4, 5, 6, 7, 8, 9, 10, 12, 15
Power Tunability, %	10-105
Power Stability over 8 hrs, %	±1 Typ.
Output Fiber Core Diameter, μm	50, 100, 150, 200
Beam Parameter Product, mm × mrad	2.0, 3.3, 5.0, 6.0

General Characteristics

Dimensions (W × D × H), mm	1-4 kW: 430 × 808 × 568 5-6 kW: 430 × 808 × 702 7-12 kW: 430 × 808 × 900 15 kW: 430 × 808 × 1185
Weight, kg	140, 200, 250, 450
Cooling	Water
Supply Voltage, 3-phase, 50/60 Hz, VAC	400-460
Wall-plug Efficiency, %	40



+1 (508) 373-1100;
[IPGPhotonics.com/contact](https://www.ipgphotonics.com/contact)
www.ipgphotonics.com

MAX. AVERAGE OUTPUT POWER: 30 kW
WAVELENGTH RANGE: 900-1200 nm

DANGER - INVISIBLE LASER
RADIATION AVOID EYE OR SKIN
EXPOSURE TO DIRECT OR
SCATTERED RADIATION
CLASS 4 LASER PRODUCT
IEC 60825-1:2014

Legal notices: All product information is believed to be accurate and is subject to change without notice. Information contained herein shall legally bind IPG only if it is specifically incorporated into the terms and conditions of a sales agreement. Some specific combinations of options may not be available. The user assumes all risks and liability whatsoever in connection with use of a product or its application. IPG, IPG Photonics, The Power to Transform and IPG Photonics' logo are trademarks of IPG Photonics Corporation. © 2023 IPG Photonics Corporation. All rights reserved.