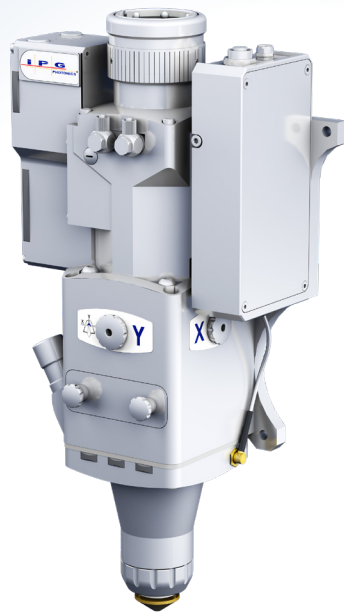


Discover Incredible Productivity with IPG Cut-HP

HIGH POWER CUTTING

UP TO 40 kW



HIGHEST POWER HANDLING
& FASTEST CUTTING SPEEDS



IPGCUT-HP CUTTING HEAD

STANDARD FEATURES

IPG High Power Cutting Heads cutting heads are designed to provide the highest laser power handling capability in the industry in a completely sealed and lightweight package. The IPGCut-HP provides effortless integration with IPG lasers and offers precise monitoring

of height even under high power and high pressure cutting conditions. Available in multiple configurations with the broadest range of focus and collimator lens options, the IPGCut-HP is the ultimate tool to cut a multitude of different material types and thicknesses.

SPECIFICATIONS

Laser Power	Up to 40 kW
Collimating Lens	100 mm*
Focusing Lens	200 mm*
Weight	~4.7 kg
Focal Plane Movement	+15 / -30 mm Collimating Lens
Control Unit	IPG Control Electronics

• Other optical configurations available

- Lightweight and compact design enables maximum motion efficiency of cutting systems
- Designed for high acceleration and high power-high speed cutting applications
- Sealed dust-proof enclosure
- LED lights display status
- Integrated pierce detection sensor
- Real-time optical parameter feedback
- Pressure sensors feedback
- Permanent secondary protective window and collimator tray design
- Optimized gas path design for low and high pressure process gas
- Easy integration with Profinet, Profibus, EtherCAT, Ethernet IP

Sensors and Integration

- Online monitoring and on the fly configuration
- Pierce sensor with analog output for pierce sensing and cut quality monitoring
- On-line temperature measurement
- Scattered light detection

Top Collimator Protective Tray

Collimating lens focal plane movement

- +15 to -30mm motorized focal plane adjustment
- Fast, accurate and completely sealed

Optimized Gas Path Design

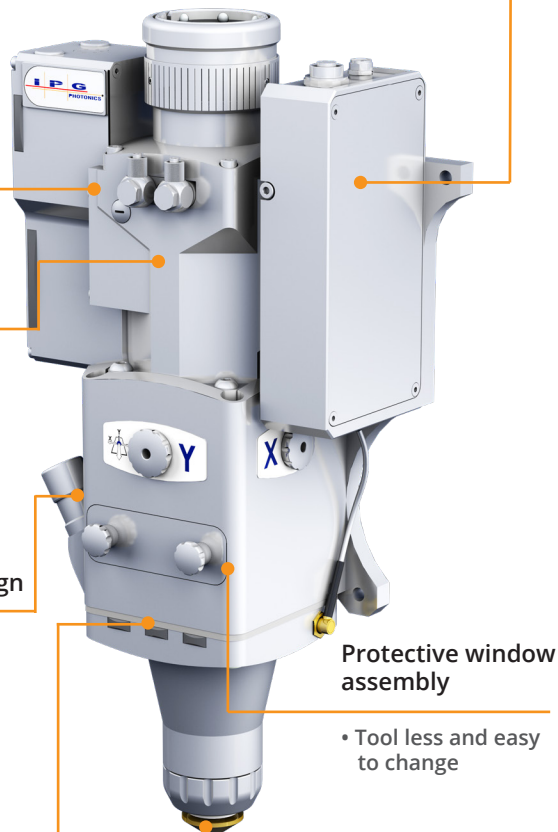
- Better efficiency for low and high pressures

LED status lights

- Warning and alarm conditions

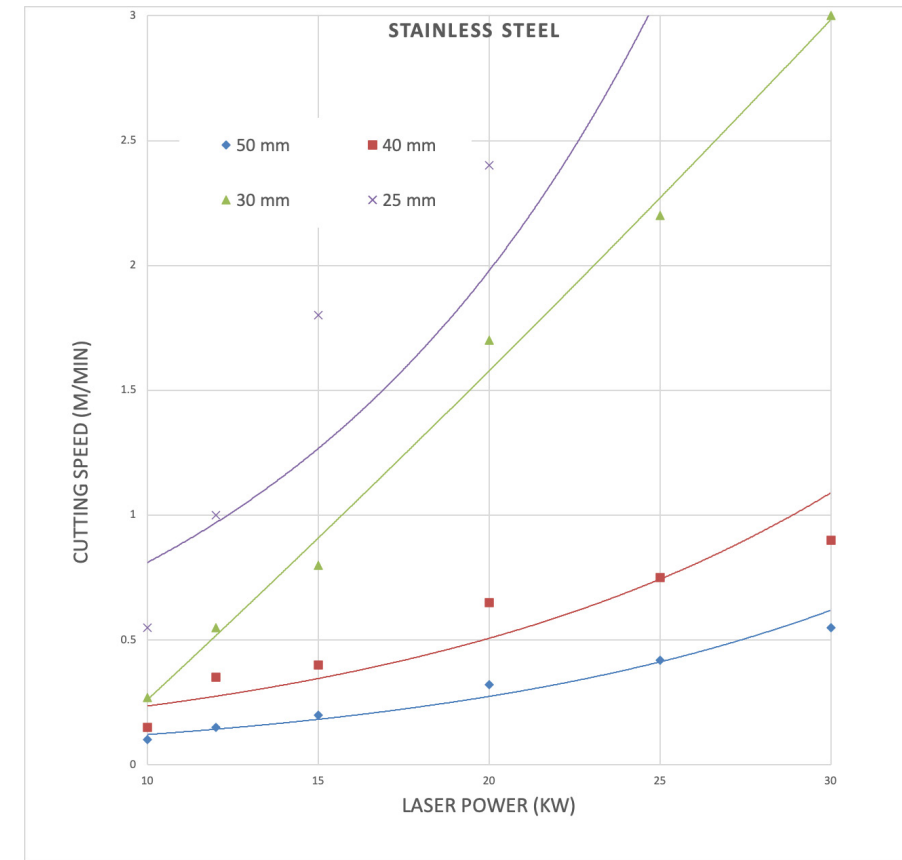
Height Sensor

- Ultra-stable height sensing at high power (30kW)



BENEFITS

IMPROVE THICK METAL CUTTING SPEEDS AND QUALITY



Stainless Steel 50 mm



25 mm / 30mm

CONTROL UNIT

CONTROL INTERFACE TO CNC, PLC



Available integration options

IPGCUT BASE STANDARD IO	CEU45010381A01XU
IPGCUT BASE ETHERCAT	CEU45010381B00XU
IPGCUT BASE ETHERNET/IP	CEU45010381B01XU
IPGCUT BASE PROFINET	CEU45010381B02XU
IPGCUT BASE CONN KIT 20M	CEU45010406XXXXU

ACCESSORIES

CERAMIC NOZZLE ASSEMBLY

- Ceramic Assembly [P30-007834](#)



PROTECTIVE WINDOW PARTS

- Full Assembly [CDSBOM000124XXXU](#)
- Optics [COPWXEXXXXXX009X](#)
- Seal [CMSEACX0000001PX](#)





THE WORLD LEADER IN FIBER LASERS

IPG Photonics is the inventor and world's leading producer of high-power fiber lasers, which enable greater precision, high-speed processing, more flexible production methods and enhanced productivity. IPG fiber lasers combine the advantages of semiconductor diodes with the high amplification and precise beam qualities of unique optical fibers to deliver superior performance, reliability and usability.

IPG has continually pioneered the development and commercial production of numerous unique technologies related to fiber lasers combining deep materials science expertise and process know-how with a vertically-integrated business model. All key components of its fiber laser technology are produced in-house, enabling:

- **Faster product development**
- **More efficient production methods**
- **Industry leading product delivery times**
- **Better performing, higher quality solutions**
- **Highest wall-plug efficiencies that lower overall energy consumption and costs**



IPG PHOTONICS

www.IPGPhotonics.com



**FOUNDED
1990**

40,000
DEVICES SHIPPED
IN 1990



400
PATENTS
450 PENDING

+100K
INSTALL BASE



40 BILLION POUNDS
LESS GLOBAL CO₂ EMISSIONS WHEN
OPERATING IPG LASERS COMPARED
TO OTHER LASERS (since 2011)



+66% OF FIBER LASERS
MANUFACTURED WORLDWIDE