

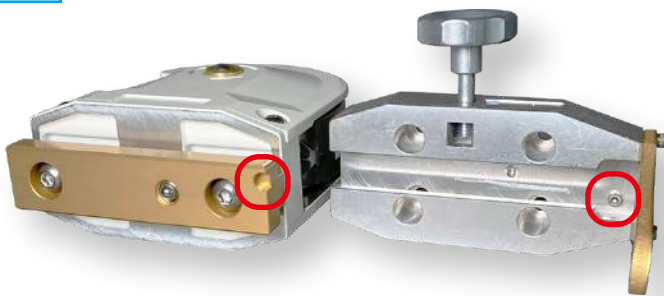
# Rotary Magazine XR



## Feature

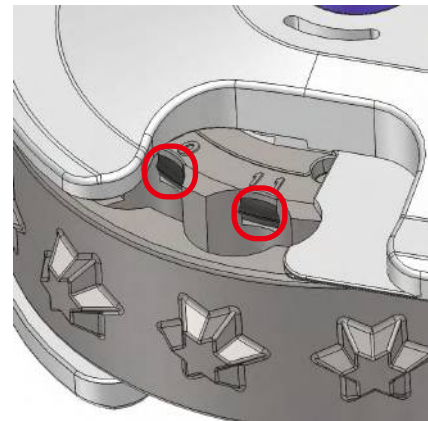
- Available for various types of cap tip (such as tips with offset, across flat, etc.)
- Pokayoke T-slot prevents attaching the magazine on wrong side (upside-down, left-right)
- High durability O-ring which hold the cap tips
- Stable structure by holding the side of cap tips
- Detects remaining tips by using proximity sensor (option)
- Available for KIKK, DH-SVR2

## System 1



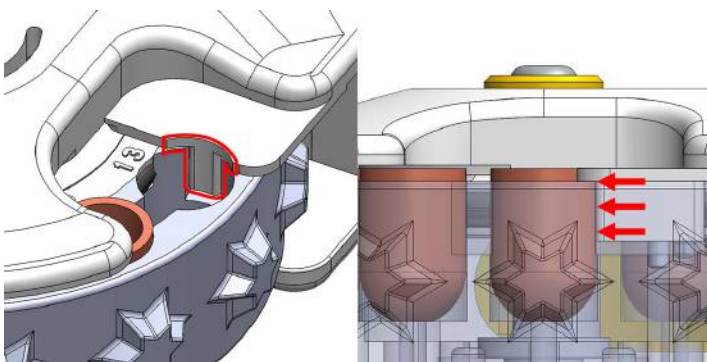
- Attaching upside down is physically impossible by introducing "Pokayoke T-slot".

## System 2



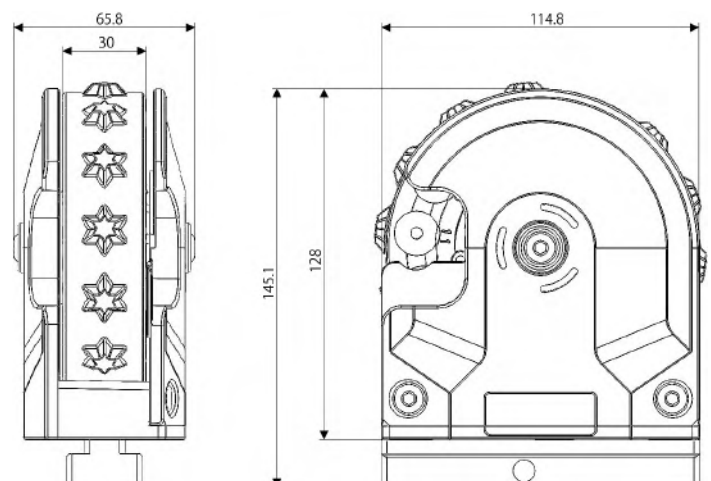
- Durability of O-ring (a part to hold cap tips) has improved by introducing larger size.

## System 3



- Tip holding ability improved by holding the edge of cap tips.

## Drawing



※ Specification and design are to be changed without notice for improvement.