

# Open Type Vacuum Unit CVC5-\*\*3



※ CDK-R and stand are sold separately.

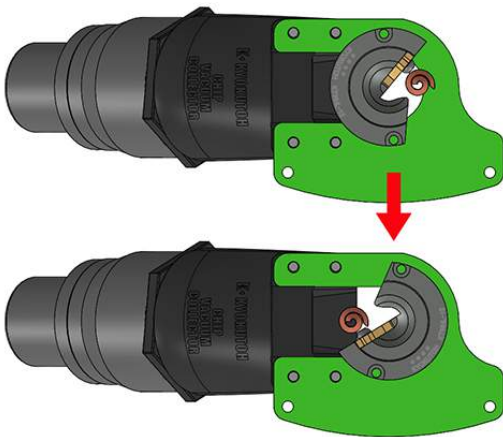
## Feature

- Collect tips automatically after dressing.
- It achieves wide accessibility for a gun by a special structure.
- Special shape creates a strong vacuum.<sup>※1</sup>
- Collected chips can be recycled.
- Corresponds to our dresser for CDK-R, CDK-SG, CDK-BAYO, CDK-DUAL, CD-SVR.<sup>※2</sup>
- Includes "Air Blow" as a standard, which prevents sticking of chips.
- Recommended solenoid valve : VP342-5G1-02A(SMC)
- Includes "Air Curtain" as a standard, which prevents chips from falling.

※1 This product does not guarantee perfect collection of chips.

※2 If use a product other than the our air blower unit, the correct performance may not be exhibited.

## System 1



- Special shape bracket induces chips to vacuum unit.

## Dust Box

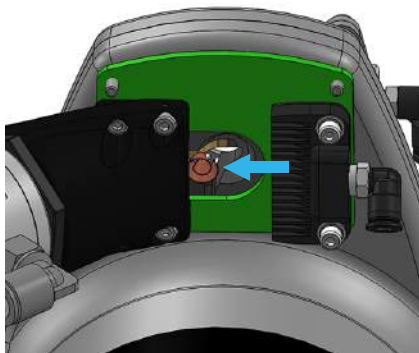


OLD

NEW

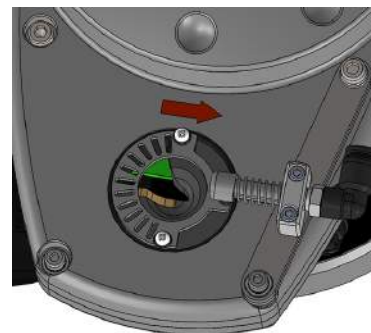
- Appearance : approx. 1.5 times larger / Capacity: approx. 2 times larger (compared to old model)
- \*Old model:0.8L / New model:1.7L

## Air Curtain



- More powerful vacuum by blowing air with Air Curtain.

## Air Blow



- Air blower prevents chips from clogging.
- Holder cover helps prevent chips from flying out. (Holder cover is standard equipment)
- Durability improved by changing the material to metallic material.

※ Specification and design are to be changed without notice for improvement.