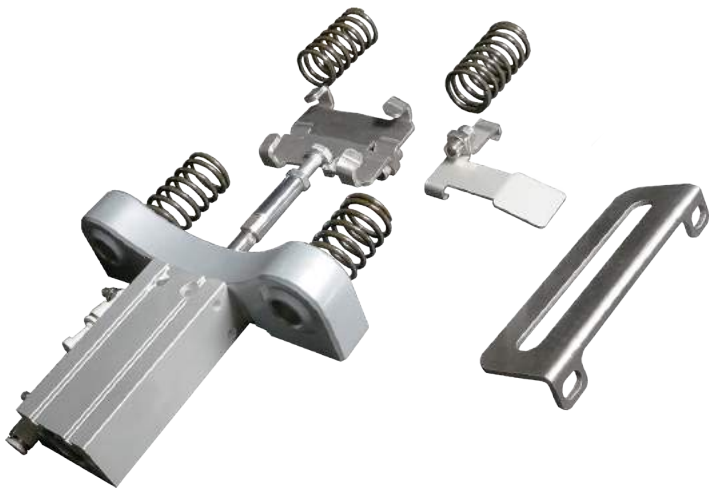


Lifter Unit for Dresser **K-LIFTER**

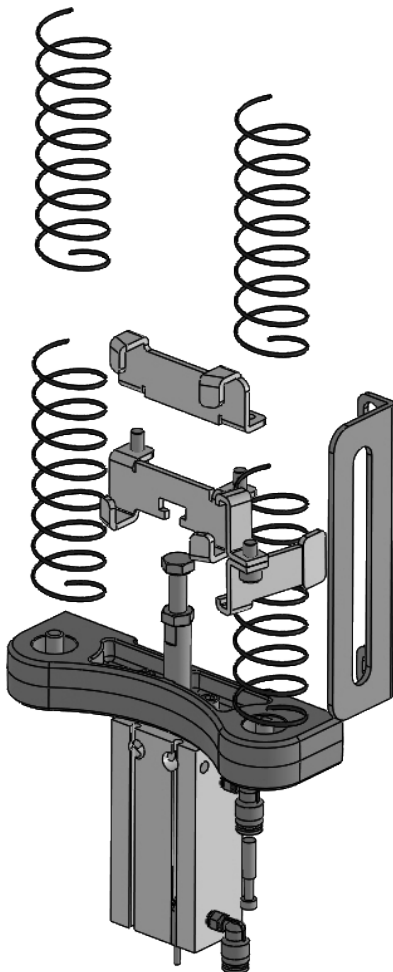


Feature

- This optional item is for a swing dress unit to a pedestal gun.
- It lifts up a dresser to access to a gun and helps even dress amount for upper and lower cap tip.
- It lifts up a dresser to access to a gun and is able to dress shorten cap tip because it won't decrease travel amount of compliance unit

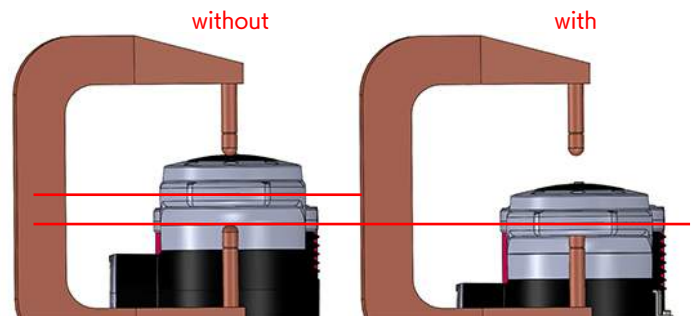
Parts List

- ※Replace the spring and shaft plate with genuine products.
- ※Proximate sensor sold separately.



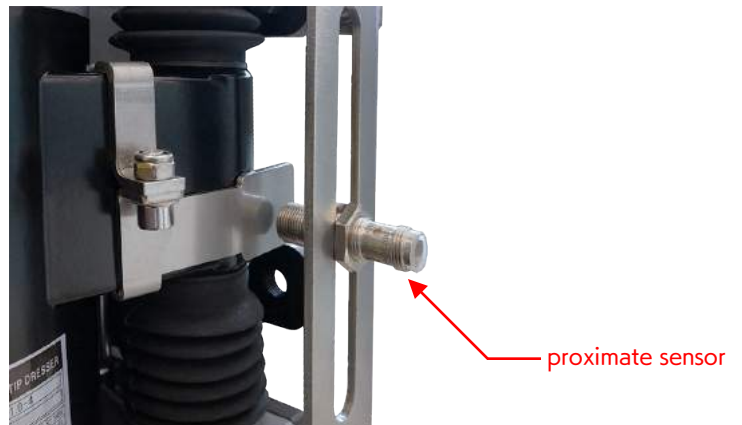
Effect

It helps for a dresser to improve proper dress position.



Option

Proximate sensor kit is also available to catch a functional error.



※ Specification and design are to be changed without notice for improvement.
※ Movie is available on Kyokutoh web page.