

Water Draining System CWDS-01

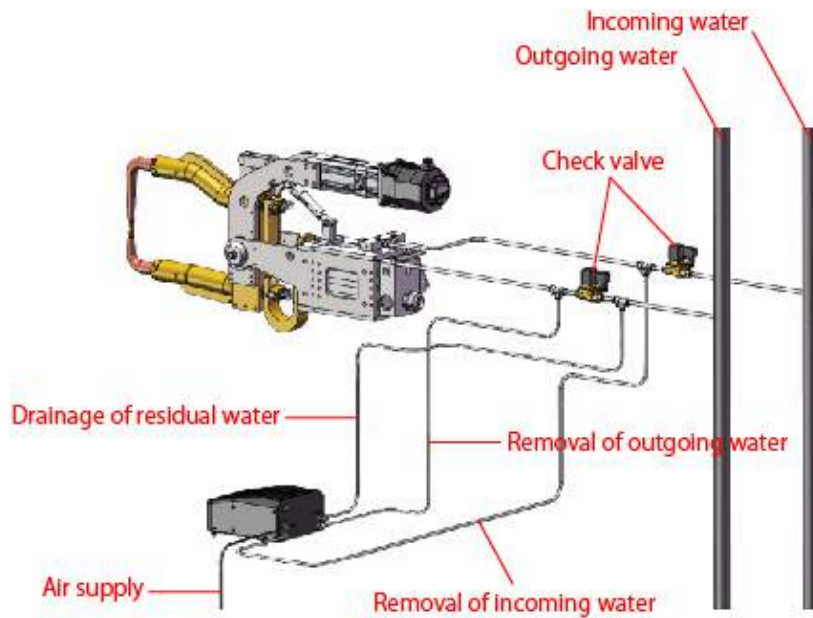


Feature

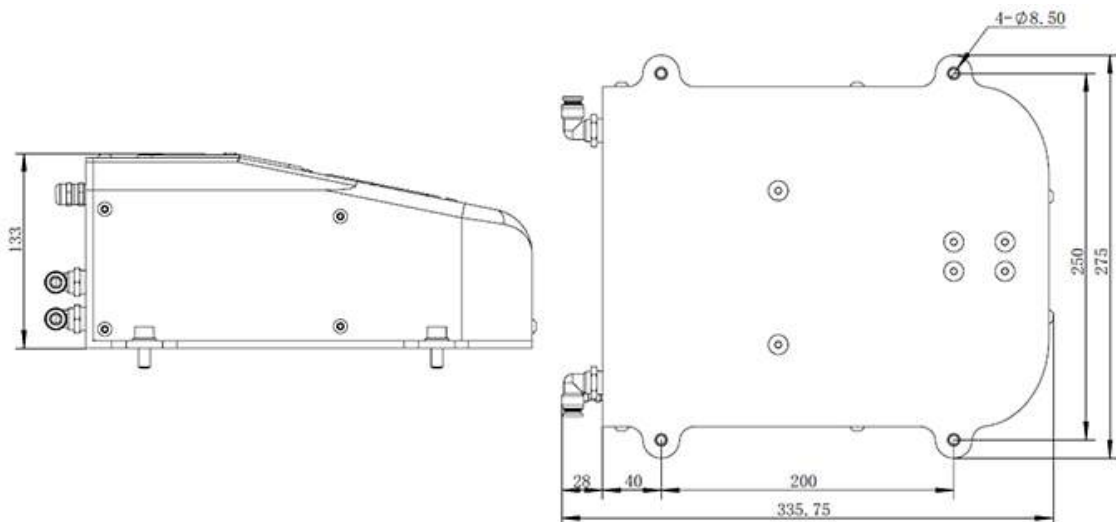
- ※1
- Reduce water leaking during tip change.
 - Prevent from rusting on tip changer parts.

※1 This item doesn't secure stop water leaking 100%.

Connecting Example



Drawing



※ Specification and design are to be changed without notice for improvement.